



Indian
Pneumatic &
Hydraulic Co Pvt.
Ltd. (Thane)

An ISO 9001 Company

Index

- Introduction 3
- Current Capabilities & Infrastructure 4
- Research & Development..... 5
- Quality Initiatives..... 6
- Enterprise Resource Planning..... 7
- Customers (Partial List) 8
- Contact..... 9

Introduction

Indian Pneumatic & Hydraulic Co is an industry pioneer with three decades of expertise in the manufacture of customized Hydraulic & Pneumatic Cylinders. We regularly manufacture large bore cylinders for Rolling Mills with forged components.

Legacy

- 100000+ man hours of Technical Experience. Three Decades; 17500+ sq. feet, Recent acquisition of 1,30,000 sq. feet.
- Large High Pressure Cylinders for Hydro Electric Power Projects
- High Pressure Pneumatic products for Torpedo Launching used by the Indian Navy.
- Steering Cylinders for a Warship Project.
- Specialized Research Project cylinders for a Steel Giant.
- Seal-less Cylinders (first dispatched a decade ago)



Current Capabilities & Infrastructure

- Max Capability – **850mm bore**.
- Longest large bore cylinder – **360mm bore x 6000mm** stroke.
- Longest stroke – **125mm bore x 6500mm** stroke with >7000mm piston rod.
- Pneumatic Cylinders – **710mm bore x 2000mm** stroke pneumatic cylinders.
- CNC and VMC's for higher Speed & Accuracy (Fanuc Controller)
- Modern ERP system
- Document Management System



Needle Valves



650mm bore

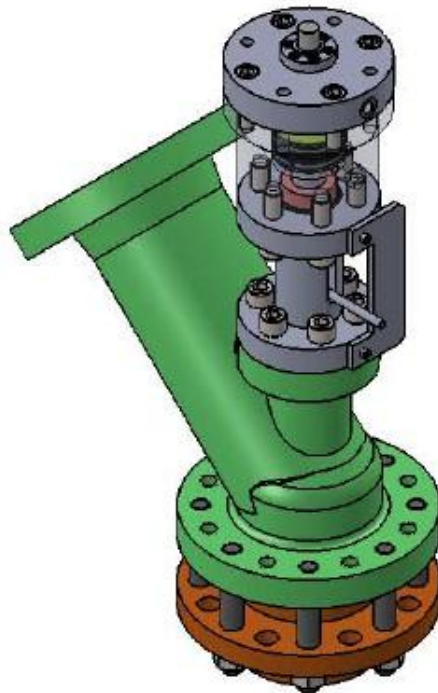
SUPERIOR SERVICE

IPH believes that the best service is to not need service at all. In the rare event we need to visit a site, we have sent across our personnel to even the remotest of corners of our country. Our service personnel are trained technicians with an average experience of 15 years in the hydraulic cylinder industry.

Research & Development

We have collaborated in the past with various government bodies for research purposes including some of the largest industrial houses in India.

1. Bhilai Steel Plant (Internal Research Project)
2. BARC both on (Internal research project)
3. Developed a Hydraulically Operated Needle Valve for a Hydro Power Project in Himalayas for Alstom India.



Quality Initiatives

1. Newly developed Test Bench with separate settings for Pressure and Cycles.
2. Larger dials for easier readings.
3. Extra Set Of Gauges acquired.
4. Vendor Quality Rating system
5. ISO 9001 Certification
6. Complete Adoption Of ISO standards with special attention to Delivery
7. Lean Manufacturing - Implemented Pull system V/s Push system.
8. 5S



Enterprise Resource Planning

A new ERP system is currently in the process of installation for minimizing waste and maximizing value for our customers. We predict a huge increase in response and accurate information for different projects of our customers. Eventual plans to integrate it with our Online Offering



Customers (Partial List)



Concast

Concast has been serving the Continuous Casting industry since 1973. Recently taken over by Mitsubishi-Hitachi Metals Machinery, Inc.



Andritz Hydro

ANDRITZ HYDRO is a global supplier of electro-mechanical systems and services for hydropower plants and a leader in the world market for hydraulic power.



Alstom

Alstom is a french energy giant (Now a General Electric Co) has full capabilities in engineering, manufacturing, project management and supply of power generation, transmission and transport sector requirements.



Esmech Equipment

Esmech Equipment is a Joint Venture between SMS Siemag AG (Germany) and HB Esmech P. Ltd (India), and is the leading manufacturer of World Class Cold Rolling Mills and Strip Metal Process Line equipment.



CMIFPE

CMI FPE the Indian hub of CMI Industry Metals, is the world leader in the conception, manufacture and installation of reversible cold rolling mills.



ISGEC

ISGEC Heavy Engineering is a large Engineering company with interests from Sugar to Process Equipment to Presses and Contract Manufacturing.

IPH^t

Plot No A 282, Road No 16A,
Near Ashar IT Park,
Wagle Industrial Estate,
Thane – 400604
+91 22 25822283
sachin.gopal@iphco.in

